

dietzel

HYDRAULIK

Technische Übersicht

Hydraulikarmaturen, Schlauch & Zubehör

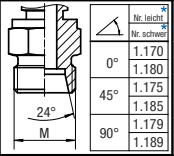
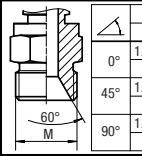
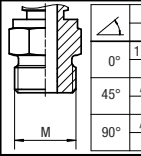
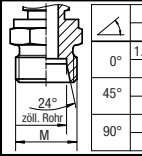
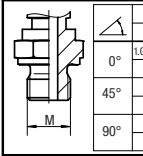
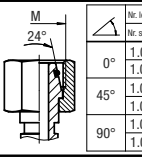
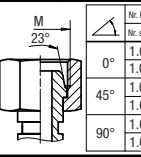
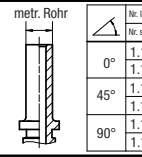
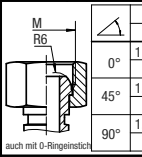
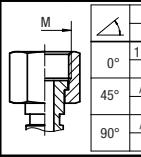
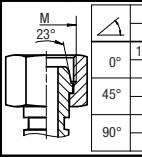
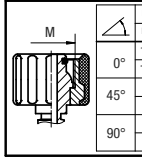
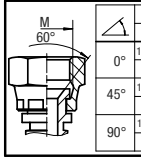
Technical overview

Hydraulic fittings, hoses & accessories

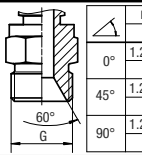
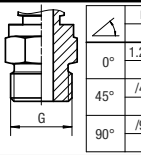
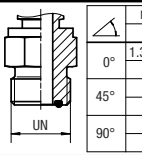
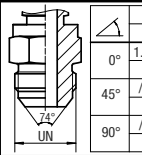
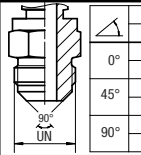
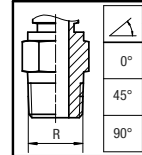
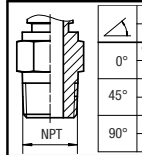
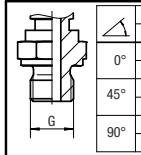
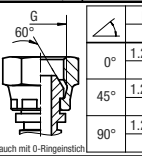
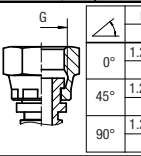
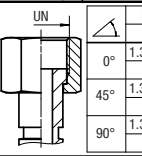
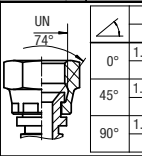
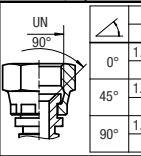
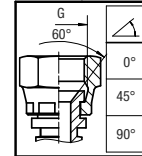
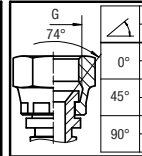
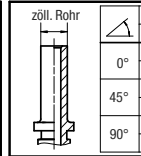
Anschlussarten für Armaturen

Connection types for fittings

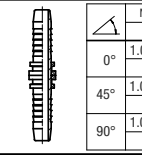
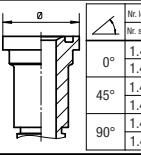
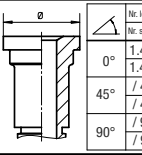
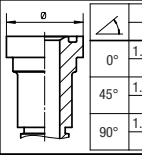
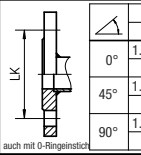
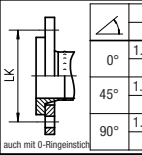
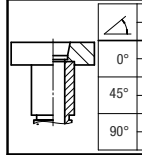
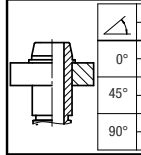
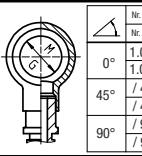
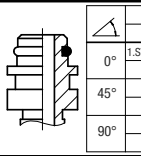
METRISCH METRIC

 <table border="1"> <tr><td>Nr. leicht</td><td>Nr. schw.</td></tr> <tr><td>0°</td><td>1.170</td></tr> <tr><td></td><td>1.180</td></tr> <tr><td>45°</td><td>1.175</td></tr> <tr><td></td><td>1.185</td></tr> <tr><td>90°</td><td>1.179</td></tr> <tr><td></td><td>1.189</td></tr> </table>		Nr. leicht	Nr. schw.	0°	1.170		1.180	45°	1.175		1.185	90°	1.179		1.189	 <table border="1"> <tr><td>Nr. *</td></tr> <tr><td>0°</td><td>1.111</td></tr> <tr><td>45°</td><td>1.115</td></tr> <tr><td>90°</td><td>1.119</td></tr> </table>		Nr. *	0°	1.111	45°	1.115	90°	1.119	 <table border="1"> <tr><td>Nr. *</td></tr> <tr><td>0°</td><td>1.178</td></tr> <tr><td>45° / 45°</td><td></td></tr> <tr><td>90° / 90°</td><td></td></tr> </table>		Nr. *	0°	1.178	45° / 45°		90° / 90°		 <table border="1"> <tr><td>Nr. *</td></tr> <tr><td>0°</td><td>1.190</td></tr> <tr><td>45°</td><td></td></tr> <tr><td>90°</td><td></td></tr> </table>		Nr. *	0°	1.190	45°		90°		 <table border="1"> <tr><td>Nr. *</td></tr> <tr><td>0°</td><td>1.GE (1-M)</td></tr> <tr><td>45°</td><td></td></tr> <tr><td>90°</td><td></td></tr> </table>		Nr. *	0°	1.GE (1-M)	45°		90°																																													
Nr. leicht	Nr. schw.																																																																																														
0°	1.170																																																																																														
	1.180																																																																																														
45°	1.175																																																																																														
	1.185																																																																																														
90°	1.179																																																																																														
	1.189																																																																																														
Nr. *																																																																																															
0°	1.111																																																																																														
45°	1.115																																																																																														
90°	1.119																																																																																														
Nr. *																																																																																															
0°	1.178																																																																																														
45° / 45°																																																																																															
90° / 90°																																																																																															
Nr. *																																																																																															
0°	1.190																																																																																														
45°																																																																																															
90°																																																																																															
Nr. *																																																																																															
0°	1.GE (1-M)																																																																																														
45°																																																																																															
90°																																																																																															
CEL / CES		AGM		AG-FLD		CEF (GAZ)		GE (metrisch, metric)																																																																																							
 <table border="1"> <tr><td>Nr. leicht</td><td>Nr. schw.</td></tr> <tr><td>0°</td><td>1.051</td></tr> <tr><td></td><td>1.081</td></tr> <tr><td>45°</td><td>1.055</td></tr> <tr><td></td><td>1.085</td></tr> <tr><td>90°</td><td>1.059</td></tr> <tr><td></td><td>1.089</td></tr> </table>		Nr. leicht	Nr. schw.	0°	1.051		1.081	45°	1.055		1.085	90°	1.059		1.089	 <table border="1"> <tr><td>Nr. leicht</td><td>Nr. schw.</td></tr> <tr><td>0°</td><td>1.041</td></tr> <tr><td></td><td>1.071</td></tr> <tr><td>45°</td><td>1.045</td></tr> <tr><td></td><td>1.075</td></tr> <tr><td>90°</td><td>1.049</td></tr> <tr><td></td><td>1.079</td></tr> </table>		Nr. leicht	Nr. schw.	0°	1.041		1.071	45°	1.045		1.075	90°	1.049		1.079	 <table border="1"> <tr><td>Nr. leicht</td><td>Nr. schw.</td></tr> <tr><td>0°</td><td>1.103</td></tr> <tr><td></td><td>1.123</td></tr> <tr><td>45°</td><td>1.105</td></tr> <tr><td></td><td>1.125</td></tr> <tr><td>90°</td><td>1.109</td></tr> <tr><td></td><td>1.129</td></tr> </table>		Nr. leicht	Nr. schw.	0°	1.103		1.123	45°	1.105		1.125	90°	1.109		1.129	 <table border="1"> <tr><td>Nr. *</td></tr> <tr><td>0°</td><td>1.011</td></tr> <tr><td>45°</td><td>1.015</td></tr> <tr><td>90°</td><td>1.019</td></tr> </table>		Nr. *	0°	1.011	45°	1.015	90°	1.019	 <table border="1"> <tr><td>Nr. *</td></tr> <tr><td>0°</td><td>1.048</td></tr> <tr><td>45° / 45°</td><td></td></tr> <tr><td>90° / 90°</td><td></td></tr> </table>		Nr. *	0°	1.048	45° / 45°		90° / 90°		 <table border="1"> <tr><td>Nr. *</td></tr> <tr><td>0°</td><td>1.141</td></tr> <tr><td>45°</td><td></td></tr> <tr><td>90°</td><td></td></tr> </table>		Nr. *	0°	1.141	45°		90°		 <table border="1"> <tr><td>Nr. kurz</td><td>Nr. lang</td></tr> <tr><td>0°</td><td>1.021</td></tr> <tr><td></td><td>1.022</td></tr> <tr><td>45°</td><td></td></tr> <tr><td>90°</td><td></td></tr> </table>		Nr. kurz	Nr. lang	0°	1.021		1.022	45°		90°		 <table border="1"> <tr><td>Nr. *</td></tr> <tr><td>0°</td><td>1.061-M</td></tr> <tr><td>45°</td><td>1.065-M</td></tr> <tr><td>90°</td><td>1.069-M</td></tr> </table>		Nr. *	0°	1.061-M	45°	1.065-M	90°	1.069-M
Nr. leicht	Nr. schw.																																																																																														
0°	1.051																																																																																														
	1.081																																																																																														
45°	1.055																																																																																														
	1.085																																																																																														
90°	1.059																																																																																														
	1.089																																																																																														
Nr. leicht	Nr. schw.																																																																																														
0°	1.041																																																																																														
	1.071																																																																																														
45°	1.045																																																																																														
	1.075																																																																																														
90°	1.049																																																																																														
	1.079																																																																																														
Nr. leicht	Nr. schw.																																																																																														
0°	1.103																																																																																														
	1.123																																																																																														
45°	1.105																																																																																														
	1.125																																																																																														
90°	1.109																																																																																														
	1.129																																																																																														
Nr. *																																																																																															
0°	1.011																																																																																														
45°	1.015																																																																																														
90°	1.019																																																																																														
Nr. *																																																																																															
0°	1.048																																																																																														
45° / 45°																																																																																															
90° / 90°																																																																																															
Nr. *																																																																																															
0°	1.141																																																																																														
45°																																																																																															
90°																																																																																															
Nr. kurz	Nr. lang																																																																																														
0°	1.021																																																																																														
	1.022																																																																																														
45°																																																																																															
90°																																																																																															
Nr. *																																																																																															
0°	1.061-M																																																																																														
45°	1.065-M																																																																																														
90°	1.069-M																																																																																														
DKOL/DKOS		DKL/DKS		BEL/BES		DKM/DKOM		DK-FLD		DKF (GAZ)		WGN		JAP-NI-60-M (metrisch, metric)																																																																																	

NICHT METRISCH NON-METRIC

 <table border="1"> <tr><td>Nr. *</td></tr> <tr><td>0°</td><td>1.260</td></tr> <tr><td>45°</td><td>1.265</td></tr> <tr><td>90°</td><td>1.269</td></tr> </table>		Nr. *	0°	1.260	45°	1.265	90°	1.269	 <table border="1"> <tr><td>Nr. *</td></tr> <tr><td>0°</td><td>1.268</td></tr> <tr><td>45° / 45°</td><td></td></tr> <tr><td>90° / 90°</td><td></td></tr> </table>		Nr. *	0°	1.268	45° / 45°		90° / 90°		 <table border="1"> <tr><td>Nr. *</td></tr> <tr><td>0°</td><td>1.380</td></tr> <tr><td>45°</td><td></td></tr> <tr><td>90°</td><td></td></tr> </table>		Nr. *	0°	1.380	45°		90°		 <table border="1"> <tr><td>Nr. *</td></tr> <tr><td>0°</td><td>1.370</td></tr> <tr><td>45° / 45°</td><td></td></tr> <tr><td>90° / 90°</td><td></td></tr> </table>		Nr. *	0°	1.370	45° / 45°		90° / 90°		 <table border="1"> <tr><td>Nr. *</td></tr> <tr><td>0°</td><td></td></tr> <tr><td>45°</td><td></td></tr> <tr><td>90°</td><td></td></tr> </table>		Nr. *	0°		45°		90°		 <table border="1"> <tr><td>Nr. *</td></tr> <tr><td>0°</td><td>1.301</td></tr> <tr><td>45°</td><td></td></tr> <tr><td>90°</td><td></td></tr> </table>		Nr. *	0°	1.301	45°		90°		 <table border="1"> <tr><td>Nr. *</td></tr> <tr><td>0°</td><td>1.300</td></tr> <tr><td>45°</td><td></td></tr> <tr><td>90°</td><td></td></tr> </table>		Nr. *	0°	1.300	45°		90°		 <table border="1"> <tr><td>Nr. *</td></tr> <tr><td>0°</td><td>1.GE (1)</td></tr> <tr><td>45°</td><td></td></tr> <tr><td>90°</td><td></td></tr> </table>		Nr. *	0°	1.GE (1)	45°		90°	
Nr. *																																																																							
0°	1.260																																																																						
45°	1.265																																																																						
90°	1.269																																																																						
Nr. *																																																																							
0°	1.268																																																																						
45° / 45°																																																																							
90° / 90°																																																																							
Nr. *																																																																							
0°	1.380																																																																						
45°																																																																							
90°																																																																							
Nr. *																																																																							
0°	1.370																																																																						
45° / 45°																																																																							
90° / 90°																																																																							
Nr. *																																																																							
0°																																																																							
45°																																																																							
90°																																																																							
Nr. *																																																																							
0°	1.301																																																																						
45°																																																																							
90°																																																																							
Nr. *																																																																							
0°	1.300																																																																						
45°																																																																							
90°																																																																							
Nr. *																																																																							
0°	1.GE (1)																																																																						
45°																																																																							
90°																																																																							
AGR		AGR-FLD		ORS		AGJ		SAE		AGR-KON		AGN		GE (zöllig, BSP)																																																									
 <table border="1"> <tr><td>Nr. *</td></tr> <tr><td>0°</td><td>1.203</td></tr> <tr><td>45°</td><td>1.233</td></tr> <tr><td>90°</td><td>1.243</td></tr> </table>		Nr. *	0°	1.203	45°	1.233	90°	1.243	 <table border="1"> <tr><td>Nr. *</td></tr> <tr><td>0°</td><td>1.253</td></tr> <tr><td>45°</td><td>1.255</td></tr> <tr><td>90°</td><td>1.259</td></tr> </table>		Nr. *	0°	1.253	45°	1.255	90°	1.259	 <table border="1"> <tr><td>Nr. *</td></tr> <tr><td>0°</td><td>1.315</td></tr> <tr><td>45°</td><td>1.345</td></tr> <tr><td>90°</td><td>1.355</td></tr> </table>		Nr. *	0°	1.315	45°	1.345	90°	1.355	 <table border="1"> <tr><td>Nr. *</td></tr> <tr><td>0°</td><td>1.313</td></tr> <tr><td>45°</td><td>1.343</td></tr> <tr><td>90°</td><td>1.353</td></tr> </table>		Nr. *	0°	1.313	45°	1.343	90°	1.353	 <table border="1"> <tr><td>Nr. *</td></tr> <tr><td>0°</td><td>1.317</td></tr> <tr><td>45°</td><td>1.347</td></tr> <tr><td>90°</td><td>1.357</td></tr> </table>		Nr. *	0°	1.317	45°	1.347	90°	1.357	 <table border="1"> <tr><td>Nr. *</td></tr> <tr><td>0°</td><td>1.061</td></tr> <tr><td>45°</td><td>1.065</td></tr> <tr><td>90°</td><td>1.069</td></tr> </table>		Nr. *	0°	1.061	45°	1.065	90°	1.069	 <table border="1"> <tr><td>Nr. *</td></tr> <tr><td>0°</td><td>1.031</td></tr> <tr><td>45°</td><td>1.035</td></tr> <tr><td>90°</td><td>1.039</td></tr> </table>		Nr. *	0°	1.031	45°	1.035	90°	1.039	 <table border="1"> <tr><td>Nr. *</td></tr> <tr><td>0°</td><td>1.223</td></tr> <tr><td>45°</td><td>1.225</td></tr> <tr><td>90°</td><td>1.229</td></tr> </table>		Nr. *	0°	1.223	45°	1.225	90°	1.229
Nr. *																																																																							
0°	1.203																																																																						
45°	1.233																																																																						
90°	1.243																																																																						
Nr. *																																																																							
0°	1.253																																																																						
45°	1.255																																																																						
90°	1.259																																																																						
Nr. *																																																																							
0°	1.315																																																																						
45°	1.345																																																																						
90°	1.355																																																																						
Nr. *																																																																							
0°	1.313																																																																						
45°	1.343																																																																						
90°	1.353																																																																						
Nr. *																																																																							
0°	1.317																																																																						
45°	1.347																																																																						
90°	1.357																																																																						
Nr. *																																																																							
0°	1.061																																																																						
45°	1.065																																																																						
90°	1.069																																																																						
Nr. *																																																																							
0°	1.031																																																																						
45°	1.035																																																																						
90°	1.039																																																																						
Nr. *																																																																							
0°	1.223																																																																						
45°	1.225																																																																						
90°	1.229																																																																						
DKR/DKOR		DKR-FLD		ORFS		DKJ		SAE-DKJ		JAP-NI-60-G (zöllig, BSP)		JAP-NI-74-G (zöllig, BSP)		BER																																																									

SONSTIGES MISCELLANEOUS

 <table border="1"> <tr><td>Nr. *</td></tr> <tr><td>0°</td><td>1.001</td></tr> <tr><td>45°</td><td>1.005</td></tr> <tr><td>90°</td><td>1.009</td></tr> </table>		Nr. *	0°	1.001	45°	1.005	90°	1.009	 <table border="1"> <tr><td>Nr. leicht</td><td>Nr. schw.</td></tr> <tr><td>0°</td><td>1.420</td></tr> <tr><td></td><td>1.421</td></tr> <tr><td>45°</td><td>1.450</td></tr> <tr><td></td><td>1.451</td></tr> <tr><td>90°</td><td>1.470</td></tr> <tr><td></td><td>1.471</td></tr> </table>		Nr. leicht	Nr. schw.	0°	1.420		1.421	45°	1.450		1.451	90°	1.470		1.471	 <table border="1"> <tr><td>Nr. leicht</td><td>Nr. schw.</td></tr> <tr><td>0°</td><td>1.410</td></tr> <tr><td></td><td>1.411</td></tr> <tr><td>45°</td><td>1.450</td></tr> <tr><td></td><td>1.451</td></tr> <tr><td>90°</td><td>1.470</td></tr> <tr><td></td><td>1.471</td></tr> </table>		Nr. leicht	Nr. schw.	0°	1.410		1.411	45°	1.450		1.451	90°	1.470		1.471	 <table border="1"> <tr><td>Nr. *</td></tr> <tr><td>0°</td><td>1.426</td></tr> <tr><td>45°</td><td>1.456</td></tr> <tr><td>90°</td><td>1.476</td></tr> </table>		Nr. *	0°	1.426	45°	1.456	90°	1.476	 <table border="1"> <tr><td>Nr. *</td></tr> <tr><td>0°</td><td>1.424</td></tr> <tr><td>45°</td><td>1.425</td></tr> <tr><td>90°</td><td>1.429</td></tr> </table>		Nr. *	0°	1.424	45°	1.425	90°	1.429	 <table border="1"> <tr><td>Nr. *</td></tr> <tr><td>0°</td><td>1.434</td></tr> <tr><td>45°</td><td>1.435</td></tr> <tr><td>90°</td><td>1.439</td></tr> </table>		Nr. *	0°	1.434	45°	1.435	90°	1.439	 <table border="1"> <tr><td>Nr. *</td></tr> <tr><td>0°</td><td></td></tr> <tr><td>45°</td><td></td></tr> <tr><td>90°</td><td></td></tr> </table>		Nr. *	0°		45°		90°		 <table border="1"> <tr><td>Nr. *</td></tr> <tr><td>0°</td><td></td></tr> <tr><td>45°</td><td></td></tr> <tr><td>90°</td><td></td></tr> </table>		Nr. *	0°		45°		90°	
Nr. *																																																																																					
0°	1.001																																																																																				
45°	1.005																																																																																				
90°	1.009																																																																																				
Nr. leicht	Nr. schw.																																																																																				
0°	1.420																																																																																				
	1.421																																																																																				
45°	1.450																																																																																				
	1.451																																																																																				
90°	1.470																																																																																				
	1.471																																																																																				
Nr. leicht	Nr. schw.																																																																																				
0°	1.410																																																																																				
	1.411																																																																																				
45°	1.450																																																																																				
	1.451																																																																																				
90°	1.470																																																																																				
	1.471																																																																																				
Nr. *																																																																																					
0°	1.426																																																																																				
45°	1.456																																																																																				
90°	1.476																																																																																				
Nr. *																																																																																					
0°	1.424																																																																																				
45°	1.425																																																																																				
90°	1.429																																																																																				
Nr. *																																																																																					
0°	1.434																																																																																				
45°	1.435																																																																																				
90°	1.439																																																																																				
Nr. *																																																																																					
0°																																																																																					
45°																																																																																					
90°																																																																																					
Nr. *																																																																																					
0°																																																																																					
45°																																																																																					
90°																																																																																					
SVB (Schlauchverbinder) (hose connector)		SFL/SFS		GSFL/GSFS (Gegenflansch) (counter flange)		CAT-FL		DIN-FL-FEST (DIN-FL-FIXED)		DIN-FL-LOSE (DIN-FL-LOOSE)		POCLAIN-FL-FEST (POCLAIN-FL-FIXED)		POCLAIN-FL-LOSE (POCLAIN-FL-LOOSE)																																																																							
 <table border="1"> <tr><td>Nr. metrisch</td><td>Nr. zöllig</td></tr> <tr><td>0°</td><td>1.090</td></tr> <tr><td></td><td>1.091</td></tr> <tr><td>45°</td><td>1.091</td></tr> <tr><td></td><td>1.092</td></tr> <tr><td>90°</td><td>1.092</td></tr> <tr><td></td><td>1.093</td></tr> </table>		Nr. metrisch	Nr. zöllig	0°	1.090		1.091	45°	1.091		1.092	90°	1.092		1.093	 <table border="1"> <tr><td>Nr. *</td></tr> <tr><td>0°</td><td>1.STECKO</td></tr> <tr><td>45°</td><td></td></tr> <tr><td>90°</td><td></td></tr> </table>		Nr. *	0°	1.STECKO	45°		90°		RN-M (metrisch, metric)		STECKO		RN-G (zöllig, BSP)																																																								
Nr. metrisch	Nr. zöllig																																																																																				
0°	1.090																																																																																				
	1.091																																																																																				
45°	1.091																																																																																				
	1.092																																																																																				
90°	1.092																																																																																				
	1.093																																																																																				
Nr. *																																																																																					
0°	1.STECKO																																																																																				
45°																																																																																					
90°																																																																																					

Bestellschlüssel

Order key

Artikelnummer: *1. XXX-XX-XX
Article number:

Schlauchgröße
Hose size
Anschlussgröße
Port size
Anschlussart
Port type
Armamentyp
Fitting type

* Armamentyp Fitting type

1. (dh 1000)
4. (dh 4000)
5. (dh 5000)
7. (dh 7000)
13. (dh 13)
15. (dh 15)
17. (dh 17)
17.K (dh 17.K)

Schlauchtyp Hose type

für 1- / 2-lagige Schläuche / for one/two-layer hoses
4SP / 3SPC - Schläuche / 4SP / 3SPC hoses
4SH - Schläuche / 4SH hoses
4SH / R15 Schläuche / 4SH / R15 hoses

Saug- und Niederdruckschläuche
Suction and low-pressure hoses

* Armamentyp austauschbar, entsprechend des Schlauchtypes
* Fitting type interchangeable as per hose type

Gewinde Außen - \varnothing <i>Thread Outside - \varnothing</i>	Gewindesteigung <i>Thread pitch</i>	BSP-Gewinde (G/R) <i>BSP thread (G/R)</i>	Metrisches Gewinde (M) <i>Metric thread (M)</i>	UN-Gewinde (DKJ/AGJ) <i>UN thread (DKJ/AGJ)</i>	UN-Gewinde (ORFS) <i>UN thread (ORFS)</i>	NPT-Gewinde <i>NPT thread</i>	Gewinde Kern - \varnothing <i>Thread Core - \varnothing</i>
9,3 - 9,7	28 TPI	1/8"					8,5 - 8,8
9,7 - 9,9	x 1,5		M 10x1,5				8,1 - 8,5
9,9 - 10,2	27 TPI					1/8"	8,4 - 8,8
10,9 - 11,1	20 TPI			7/16"-20			9,7 - 10,0
11,6 - 11,9	x 1,5		M 12x1,5				10,1 - 10,5
12,5 - 12,7	20TPI			1/2"-20			11,3 - 11,6
12,9 - 13,1	19 TPI	1/4"					11,4 - 11,8
13,4 - 13,7	18 TPI					1/4"	10,9 - 11,3
13,6 - 13,9	x 1,5		M 14x1,5				12,1 - 12,5
14,0 - 14,3	18 TPI			9/16"-18	9/16"-18		12,8 - 13,1
15,6 - 15,9	x 1,5		M 16x1,5				14,0 - 14,4
16,3 - 16,6	19 TPI	3/8"					14,9 - 15,4
16,8 - 17,1	18 TPI					3/8"	14,2 - 14,6
17,2 - 17,4	16 TPI				11/16"-18		15,7 - 16,1
17,6 - 17,9	x 1,5		M 18x1,5				16,1 - 16,5
18,8 - 19,0	16 TPI			3/4"-16			17,3 - 17,7
19,6 - 19,9	x 1,5		M 20x1,5				18,2 - 18,6
20,4 - 20,6	16 TPI				13/16"-16		18,9 - 19,3
20,5 - 20,9	14 TPI	1/2"					18,6 - 19,0
21,0 - 21,3	14 TPI					1/2"	17,8 - 18,2
21,6 - 21,9	x 1,5		M 22x1,5				20,1 - 20,5
21,9 - 22,2	14 TPI			7/8"-14			20,3 - 20,7
22,6 - 22,9	14 TPI	5/8"				5/8"	20,6 - 21,0
23,6 - 23,9	x 1,5		M 24x1,5				22,1 - 22,5
25,1 - 25,4	14 TPI				1"-14		23,4 - 23,8
25,6 - 25,9	x 1,5		M 26x1,5				24,0 - 24,4
26,3 - 26,6	14 TPI	3/4"					24,1 - 24,5
26,6 - 26,9	14 TPI					3/4"	23,1 - 23,5
26,7 - 26,9	12 TPI			1.1/16"-12			24,7 - 25,2
29,6 - 29,9	x 2		M 30x2				27,4 - 27,8
29,6 - 29,9	x 1,5		M 30x1,5				28,0 - 28,4
29,8 - 30,1	12 TPI			1.3/16"-12	1.3/16"-12		27,9 - 28,3
33,0 - 33,2	11 TPI	1"					30,2 - 30,6
33,0 - 33,3	12 TPI			1.5/16"-12			31,0 - 31,5
33,0 - 33,4	11,5 TPI					1"	29,0 - 29,3
35,6 - 35,9	x 2		M 36x2				33,5 - 33,8
35,6 - 35,9	x 1,5		M 36x1,5				34,1 - 34,4
36,2 - 36,5	12 TPI				1.7/16"-12		34,2 - 34,7
37,6 - 37,9	X 1,5		M 38x1,5				36,1 - 36,4
40,9 - 41,2	12 TPI			1.5/8"-12			39,0 - 39,4
41,6 - 41,9	11 TPI	1.1/4"					38,9 - 39,3
41,6 - 41,9	x 2		M 42x2				39,4 - 39,8
41,8 - 42,1	11,5 TPI					1.1/4"	37,7 - 38,0
42,5 - 42,8	12 TPI				1.11/16"-12		40,6 - 41,0
44,6 - 44,9	x 2		M 45x2				42,4 - 42,8
44,6 - 44,9	x 1,5		M 45x1,5				43,1 - 43,4
47,3 - 47,6	12 TPI			1.7/8"-12			45,3 - 45,8
47,4 - 47,8	11 TPI	1.1/2"					44,8 - 45,2
47,8 - 48,2	11,5 TPI					1.1/2"	43,1 - 43,8
50,5 - 50,8	12 TPI				2"-12		48,5 - 49,0
51,6 - 51,9	x 2		M 52x2				49,4 - 49,6
51,6 - 51,9	x 1,5		M 52x1,5				50,1 - 50,4
59,3 - 59,6	11 TPI	2"					56,6 - 56,9
60,0 - 60,3	11,5 TPI					2"	55,8 - 56,2
63,2 - 63,5	12 TPI			2.1/2"-12			61,2 - 61,7
64,6 - 64,9	x 2		M 65x2				62,9 - 63,3
72,7 - 73,0	8 TPI					2.1/2"	66,5 - 66,8
74,8 - 75,1	11 TPI	2.1/2"					72,2 - 72,5
75,9 - 76,2	12 TPI			3"-12			73,9 - 74,4
77,6 - 77,9	x 2		M 78x2				75,9 - 76,3
87,5 - 87,8	11 TPI	3"					84,9 - 85,2
88,5 - 88,8	8 TPI					3"	82,3 - 82,5
88,6 - 88,9	12 TPI			3.1/2"-12			86,6 - 87,1
89,6 - 89,9	x 2		M 90x2				87,5 - 87,8
99,6 - 99,9	x 2		M 100x2				97,5 - 97,8
100,0 - 100,3	11 TPI	3.1/2"					97,3 - 97,6
101,2 - 101,5	8 TPI					3.1/2"	94,9 - 95,2
112,7 - 113,0	11 TPI	4"					110,0 - 110,3
113,9 - 114,2	8 TPI					4"	107,5 - 107,8

Druckarmaturen und Zubehör Pressure fittings and accessories



Abbildung Figure	Kurzzeichen Identification symbol	Beschreibung Description		
		Pressfassungen für Schläuche 1SN/2SN; 1SC/2SC; 3SPC; 4SP; 4SH; R15 Press ferrules for hoses 1SN/2SN; 1SC/2SC; 3SPC; 4SP; 4SH; R15		
	DKM DKOM	Dichtkopf mit Überwurfmutter, passend auf 60°-Stutzen DIN 7631, auch mit O-Ring Sealing head with union nut, fitting on 60° nozzle DIN 7631, also with O-ring	Gewinde Best.-Nr. gerade " 45° " 90°	Thread Order no. straight " 45° " 90°
	DKL	Universal-Dichtkopf mit Überwurfmutter passend auf 60°-Stutzen DIN 7631 und 24°-Stutzen DIN 2353, leichte Baureihe Universal sealing head with union nut fitting on 60° nozzle DIN 7631 and 24° nozzle DIN 2353, lightweight series	RA-Ø / Baureihe Gewinde Best.-Nr. gerade " 45° " 90°	PC* Ø / series Thread Order no. straight " 45° " 90°
	DKOL	Dichtkopf mit Überwurfmutter und O-Ring passend auf 24°-Stutzen DIN 2353, leichte Baureihe Sealing head with union nut and O-ring fitting on 24° nozzle DIN 2353, lightweight series	RA-Ø / Baureihe Gewinde Best.-Nr. gerade " 45° " 90°	PC* Ø / series Thread Order no. straight " 45° " 90°
	DKOS	Dichtkopf mit Überwurfmutter und O-Ring passend auf 24°-Stutzen DIN 2353, schwere Baureihe Sealing head with union nut and O-ring fitting on 24° nozzle DIN 2353, heavy series	RA-Ø / Baureihe Gewinde Best.-Nr. gerade " 45° " 90°	PC* Ø / series Thread Order no. straight " 45° " 90°
	BEL	Rohrstutzen für Schneidringverbindung leichte Baureihe Pipe socket for cutting ring coupling Lightweight series	RA-Ø / Baureihe Best.-Nr. gerade " 45° " 90°	PC* Ø / series Order no. straight " 45° " 90°
	BES	Rohrstutzen für Schneidringverbindung schwere Baureihe Pipe socket for cutting ring coupling Heavy series	RA-Ø / Baureihe Best.-Nr. gerade " 45° " 90°	PC* Ø / series Order no. straight " 45° " 90°
	CEL	Metrisches Außengewinde 24° Innenkonus, leichte Baureihe Metric male thread 24° inner cone, Lightweight series	RA-Ø / Baureihe Gewinde Best.-Nr. gerade " 45° " 90°	PC* Ø / series Thread Order no. straight " 45° " 90°
	CES	Metrisches Außengewinde 24° Innenkonus, schwere Baureihe Metric male thread 24° inner cone, Heavy series	RA-Ø / Baureihe Gewinde Best.-Nr. gerade " 45° " 90°	PC* Ø / series Thread Order no. straight " 45° " 90°
	DKR DKOR	BSP-Dichtkopf 60° mit Überwurfmutter auch mit O-Ring BSP sealing head 60° with union nut also with O-ring	Gewinde Best.-Nr. gerade " 45° " 90°	Thread Order no. straight " 45° " 90°
	AGR	BSP-Außengewinde 60° BSP male thread 60°	Gewinde Best.-Nr. gerade	Thread Order no. straight
	AGN	NPTF-Außengewinde, konisch dichtend NPTF male thread, coned sealing	Gewinde Best.-Nr. gerade	Thread Order no. straight
	DKJ	JIC-Dichtkopf 74° mit Überwurfmutter (UNF-Gewinde) JIC sealing head 74° with union nut (UNF thread)	Gewinde Best.-Nr. gerade " 45° " 90°	Thread Order no. straight " 45° " 90°
	AGJ	JIC-Außengewinde 74° (UNF-Gewinde) JIC male thread 74° (UNF thread)	Gewinde Best.-Nr. gerade	Thread Order no. straight
	ORS	UN-Außengewinde frontal O-Ring-dichtend UN male thread, frontal O-ring sealing	Gewinde Best.-Nr. gerade	Male thread Order no. straight
	ORFS	Dichtkopf mit Überwurfmutter flachdichtend (UN-Gewinde) Sealing head with union nut, flat sealing (UN thread)	Gewinde Best.-Nr. gerade " 45° " 90°	Thread Order no. straight " 45° " 90°
	SFL	SAE-Flansch 3.000 PSI SAE flange 3,000 PSI	Größe Flansch-Ø „C“ Best.-Nr. gerade " 45° " 90°	Size Flange Ø "C" Order no. straight " 45° " 90°
	SFL- Flanschzubehör SFL flange accessories	Halbflansch Half flange Vollflansch Solid flange O-Ring O-ring Schrauben Screws		
	SFS	SAE-Flansch 6.000 PSI SAE flange 6,000 PSI	Größe Flansch-Ø „C“ Best.-Nr. gerade " 45° " 90°	Size Flange Ø "C" Order no. straight " 45° " 90°
	SFS- Flanschzubehör SFS flange accessories	Halbflansch Half flange Vollflansch Solid flange O-Ring O-ring Schrauben Screws		

Andere Größen und Winkelstellungen auf Anfrage.
Other sizes and angular positions upon request.

*Pipe connection

DN 6	DN 8	DN 10	DN 12	DN 16	DN 19	DN 25	DN 31	DN 38	DN 51
------	------	-------	-------	-------	-------	-------	-------	-------	-------

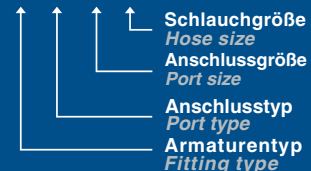
Fassungsübersicht: siehe Seite 7
 Ferrule overview: see page 7

					M 30 x 1,5 1.011-12-12 1.015-12-12 1.019-12-12	M 38 x 1,5 1.011-16-16 1.015-16-16 1.019-16-16	M 45 x 1,5 1.011-20-20 1.015-20-20 1.019-20-20	M 52 x 1,5 1.011-24-24 1.015-24-24 1.019-24-24	M 65 x 2 1.011-32-32 1.015-32-32 1.019-32-32
8 L M 14 x 1,5 * 1.041-04-04 1.045-04-04 1.049-04-04	10 L M 16 x 1,5 1.041-05-05 1.045-05-05 1.049-05-05	12 L M 18 x 1,5 1.041-06-06 1.045-06-06 1.049-06-06	15 L M 22 x 1,5 1.041-08-08 1.045-08-08 1.049-08-08	18 L M 26 x 1,5 1.041-10-10 1.045-10-10 1.049-10-10	22 L M 30 x 2 1.041-12-12 1.045-12-12 1.049-12-12	28 L M 36 x 2 1.041-16-16 1.045-16-16 1.049-16-16	35 L M 45 x 2 1.041-20-20 1.045-20-20 1.049-20-20	42 L M 52 x 2 1.041-24-24 1.045-24-24 1.049-24-24	
8 L M 14 x 1,5 1.051-04-04 1.055-04-04 1.059-04-04	10 L M 16 x 1,5 1.051-05-05 1.055-05-05 1.059-05-05	12 L M 18 x 1,5 1.051-06-06 1.055-06-06 1.059-06-06	15 L M 22 x 1,5 1.051-08-08 1.055-08-08 1.059-08-08	18 L M 26 x 1,5 1.051-10-10 1.055-10-10 1.059-10-10	22 L M 30 x 2 1.051-12-12 1.055-12-12 1.059-12-12	28 L M 36 x 2 1.051-16-16 1.055-16-16 1.059-16-16	35 L M 45 x 2 1.051-20-20 1.055-20-20 1.059-20-20	42 L M 52 x 2 1.051-24-24 1.055-24-24 1.059-24-24	
10 S M 18 x 1,5 1.081-04-04 1.085-04-04 1.089-04-04	12 S M 20 x 1,5 1.081-05-05 1.085-05-05 1.089-05-05	14 S M 22 x 1,5 1.081-06-06 1.085-06-06 1.089-06-06	16 S M 24 x 1,5 1.081-08-08 1.085-08-08 1.089-08-08	20 S M 30 x 2 1.081-10-10 1.085-10-10 1.089-10-10	25 S M 36 x 2 1.081-12-12 1.085-12-12 1.089-12-12	30 S M 42 x 2 1.081-16-16 1.085-16-16 1.089-16-16	38 S M 52 x 2 1.081-20-20 1.085-20-20 1.089-20-20	50 S M 68 x 2 1.081-24-24 1.085-24-24 1.089-24-24	50 S M 68 x 2 1.081-24-32 1.085-24-32 1.089-24-32
8 L 1.103-04-04 1.105-04-04 1.109-04-04	10 L 1.103-05-05 1.105-05-05 1.109-05-05	12 L 1.103-06-06 1.105-06-06 1.109-06-06	15 L 1.103-08-08 1.105-08-08 1.109-08-08	18 L 1.103-10-10 1.105-10-10 1.109-10-10	22 L 1.103-12-12 1.105-12-12 1.109-12-12	28 L 1.103-16-16 1.105-16-16 1.109-16-16	35 L 1.103-20-20 1.105-20-20 1.109-20-20	42 L 1.103-24-24 1.105-24-24 1.109-24-24	
10 S 1.123-04-04 1.125-04-04 1.129-04-04	12 S 1.123-05-05 1.125-05-05 1.129-05-05	14 S 1.123-06-06 1.125-06-06 1.129-06-06	16 S 1.123-08-08 1.125-08-08 1.129-08-08	20 S 1.123-10-10 1.125-10-10 1.129-10-10	25 S 1.123-12-12 1.125-12-12 1.129-12-12	30 S 1.123-16-16 1.125-16-16 1.129-16-16	38 S 1.123-20-20 1.125-20-20 1.129-20-20		
8 L M 14 x 1,5 1.170-04-04 1.175-04-04 1.179-04-04	10 L M 16 x 1,5 1.170-05-05 1.175-05-05 1.179-05-05	12 L M 18 x 1,5 1.170-06-06 1.175-06-06 1.179-06-06	15 L M 22 x 1,5 1.170-08-08 1.175-08-08 1.179-08-08	18 L M 26 x 1,5 1.170-10-10 1.175-10-10 1.179-10-10	22 L M 30 x 2 1.170-12-12 1.175-12-12 1.179-12-12	28 L M 36 x 2 1.170-16-16 1.175-16-16 1.179-16-16	35 L M 46 x 2 1.170-20-20 1.175-20-20 1.179-20-20	42 L M 52 x 2 1.170-24-24 1.175-24-24 1.179-24-24	
10 S M 18 x 1,5 1.180-04-04 1.185-04-04 1.189-04-04	12 S M 20 x 1,5 1.180-05-05 1.185-05-05 1.189-05-05	14 S M 22 x 1,5 1.180-06-06 1.185-06-06 1.189-06-06	16 S M 24 x 1,5 1.180-08-08 1.185-08-08 1.189-08-08	20 S M 30 x 2 1.180-10-10 1.185-10-10 1.189-10-10	25 S M 36 x 2 1.180-12-12 1.185-12-12 1.189-12-12	30 S M 42 x 2 1.180-16-16 1.185-16-16 1.189-16-16	38 S M 52 x 2 1.180-20-20 1.185-20-20 1.189-20-20	50 S M 68 x 2 1.180-24-24 1.185-24-24 1.189-24-24	50 S M 68 x 2 1.180-24-32 1.185-24-32 1.189-24-32
G 1/4" 1.203-04-04 1.233-04-04 1.243-04-04	G 3/8" 1.203-06-05 1.233-06-05 1.243-06-05	G 3/8" 1.203-06-06 1.233-06-06 1.243-06-06	G 1/2" 1.203-08-08 1.233-08-08 1.243-08-08	G 5/8" 1.203-10-10 1.233-10-10 1.243-10-10	G 3/4" 1.203-12-12 1.233-12-12 1.243-12-12	G 1" 1.203-16-16 1.233-16-16 1.243-16-16	G 1 1/4" 1.203-20-20 1.233-20-20 1.243-20-20	G 1 1/2" 1.203-24-24 1.233-24-24 1.243-24-24	G 2" 1.203-32-32 1.233-32-32 1.243-32-32
G 1/4" 1.260-04-04	G 3/8" 1.260-06-05	G 3/8" 1.260-06-06	G 1/2" 1.260-08-08	G 5/8" 1.260-10-10	G 3/4" 1.260-12-12	G 1" 1.260-16-16	G 1 1/4" 1.260-20-20	G 1 1/2" 1.260-24-24	G 2" 1.260-32-32
1/4" NPTF 1.300-04-04	3/8" NPTF 1.300-06-05	3/8" NPTF 1.300-06-06	1/2" NPTF 1.300-08-08	3/4" NPTF 1.300-12-10	3/4" NPTF 1.300-12-12	1" NPTF 1.300-16-16	1 1/4" NPTF 1.300-20-20	1 1/2" NPTF 1.300-24-24	2" NPTF 1.300-32-32
7/16-20 UNF 1.313-04-04 1.343-04-04 1.353-04-04	1/2"-20 UNF 1.313-05-05 1.343-05-05 1.353-05-05	9/16-18 UNF 1.313-06-06 1.343-06-06 1.353-06-06	3/4-16 UNF 1.313-08-08 1.343-08-08 1.353-08-08	7/8-14 UNF 1.313-10-10 1.343-10-10 1.353-10-10	3/4-12 UNF 1.313-12-12 1.343-12-12 1.353-12-12	1 5/16-12 UNF 1.313-16-16 1.343-16-16 1.353-16-16	1 5/8-12 UNF 1.313-20-20 1.343-20-20 1.353-20-20	1 7/8-12 UNF 1.313-24-24 1.343-24-24 1.353-24-24	2 1/2-12 UNF 1.313-32-32 1.343-32-32 1.353-32-32
7/16-20 UNF 1.370-04-04	1/2"-20 UNF 1.370-05-05	9/16-18 UNF 1.370-06-06	3/4-16 UNF 1.370-08-08	7/8-14 UNF 1.370-10-10	1 1/16-12 UNF 1.370-12-12	1 5/16-12 UNF 1.370-16-16	1 5/8-12 UNF 1.370-20-20	1 7/8-12 UNF 1.370-24-24	2 1/2-12 UNF 1.370-32-32
9/16-18 UN 1.380-04-04	11/16-16 UN 1.380-06-05	11/16-16 UN 1.380-06-06	13/16-16 UN 1.380-08-08	1-14 UN 1.380-10-10	1 3/16-12 UN 1.380-12-12	1 7/16-12 UN 1.380-16-16	1 11/16-12 UN 1.380-20-20	2-12 UN 1.380-24-24	
9/16-18 UN 1.315-04-04 1.345-04-04 1.355-04-04	11/16-16 UN 1.315-06-05 1.345-06-05 1.355-06-05	11/16-16 UN 1.315-06-06 1.345-06-06 1.355-06-06	13/16-16 UN 1.315-08-08 1.345-08-08 1.355-08-08	1-14 UN 1.315-10-10 1.345-10-10 1.355-10-10	1 3/16-12 UN 1.315-12-12 1.345-12-12 1.355-12-12	1 7/16-12 UN 1.315-16-16 1.345-16-16 1.355-16-16	1 11/16-12 UN 1.315-20-20 1.345-20-20 1.355-20-20	2-12 UN 1.315-24-24 1.345-24-24 1.355-24-24	
			1/2" 30.2 1.420-08-08 1.450-08-08 1.470-08-08	3/4" 38.1 1.420-12-12 1.450-12-12 1.470-12-12	1" 44.5 1.420-16-16 1.450-16-16 1.470-16-16	1 1/4" 50.8 1.420-20-20 1.450-20-20 1.470-20-20	1 1/2" 60.3 1.420-24-24 1.450-24-24 1.470-24-24	2" 71.4 1.420-32-32 1.450-32-32 1.470-32-32	
			480-001 490-001 OR 18.64 x 3.53 M8 x 25	480-003 490-003 OR 24.99 x 3.53 M10 x 30	480-006 490-005 OR 32.92 x 3.53 M10 x 30	480-008 490-008 OR 37.69 x 3.53 M10 x 35	480-012 490-011 OR 47.22 x 3.53 M12 x 35	480-014 490-014 OR 56.74 x 3.53 M12 x 35	
			1/2" 31.8 1.421-08-08 1.451-08-08 1.471-08-08	3/4" 41.3 1.421-12-12 1.451-12-12 1.471-12-12	1" 47.6 1.421-16-16 1.451-16-16 1.471-16-16	1 1/4" 54.0 1.421-20-20 1.451-20-20 1.471-20-20	1 1/2" 63.5 1.421-24-24 1.451-24-24 1.471-24-24	2" 79.4 1.421-32-32 1.451-32-32 1.471-32-32	
			481-001 491-001 OR 18.64 x 3.53 M8 x 30	481-003 491-004 OR 24.99 x 3.53 M10 x 35	481-005 491-006 OR 32.92 x 3.53 M12 x 45	481-008 491-009 OR 37.69 x 3.53 M14 x 50	481-011 491-011 OR 47.22 x 3.53 M16 x 55	481-013 491-013 OR 56.74 x 3.53 M20 x 65	

Bestellschlüssel
Order key

Artikelnummer: *1. XXX-XX-XX

Article number:



Schlauchgröße
Hose size
Anschlussgröße
Port size
Anschlussstyp
Port type
Armaturentyp
Fitting type

* Armaturentyp Fitting type	Schlauchtyp Hose type
1. (dH 1000)	für 1- / 2-lagige Schläuche / for one/two-layer hoses
4. (dH 4000)	4SP / 3SPC - Schläuche / 4SP / 3SPC hoses
5. (dH 5000)	4SH - Schläuche / 4SH hoses
7. (dH 7000)	4SH / R15 Schläuche / 4SH / R15 hoses
13. (dH 13)	Saug- und Niederdruckschläuche Suction and low-pressure hoses
15. (dH 15)	
17. (dH 17)	
17.K (dH 17.K)	

* Armaturentyp austauschbar, entsprechend des Schlauchtypes
 * Fitting type interchangeable as per hose type



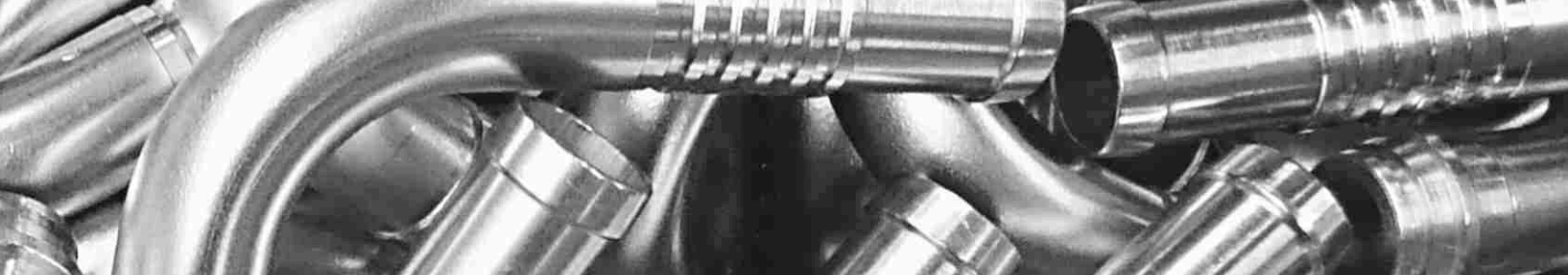
Saug- und Niederdruckarmaturen und Zubehör

Suction and low-pressure fittings and accessories

Abbildung Figure	Kurzzeichen Identification symbol	Beschreibung Description	Bestell-Nr. Order no.		DN 19
		Einbindungen für Saug- und Niederdruckschläuche <i>Inserts for suction and low-pressure hoses</i>			
	AS	Anschweißschlauchnippel <i>Weld-on hose stems</i>	Best.-Nr. gerade " 45° Bogen " 90° Bogen	Order no., straight " 45° " 90°	* 17.001-12 17.005-12 17.009-12
	DKM DKOM	Dichtkopf mit Überwurfmutter, passend auf 60°- Stutzen DIN 7631 <i>Sealing head with union nut, fitting on 60° nozzle DIN 7631</i>	Gewinde Best.-Nr. gerade " 45° Bogen " 90° Bogen	Thread Order no., straight " 45° " 90°	M 30 x 1.5 17.011-12-12 17.015-12-12 17.019-12-12
	DKOL	Dichtkopf mit Überwurfmutter und O-Ring passend auf 24°- Stutzen DIN 2353 (leichte Baureihe) <i>Sealing head with union nut and O-ring fitting on 24° nozzle DIN 2353 (leightweight series)</i>	RA-Ø / Baureihe Gewinde Best.-Nr. gerade " 45° Bogen " 90° Bogen	PC* -Ø / series Thread Order no., straight " 45° " 90°	22L M 30 x 2 17.051-12-12 17.055-12-12 17.059-12-12
	CEL	Metrisches Außengewinde mit 24° Innenkonus, leichte Baureihe <i>Metric male thread 24° with inner cone, leightweight series</i>	RA-Ø / Baureihe Gewinde Best.-Nr. gerade	PC* -Ø / series Thread Order no., straight	22L M 30 x 2 17.170-12-12
	AGR	BSP-Dichtkopf 60° <i>BSP sealing head 60°</i>	Gewinde Best.-Nr. gerade	Thread Order no., straight	G 3/4" 17.260-12-12
	AGR- KON	kegeliges Whitworth-Rohrgewinde nach DIN 2999 T1 <i>Tapered Whitworth pipe thread as per DIN 2999 T1</i>	Gewinde „R“ Best.-Nr. gerade	"R" thread Order no., straight	R 3/4" 17.301-12-12
	SFL	SAE-Flansch, 3.000 PSI Standard-Baureihe <i>SAE flange 3,000 PSI Standard series</i>	Größe Flansch Ø „C“ Best.-Nr. gerade " 45° Bogen " 90° Bogen	Size Flange Ø "C" Order no., straight " 45° " 90°	3/4" 38.1 17.420-12-12 17.450-12-12 17.470-12-12
	SFL-Flansch- zubehör <i>SFL flange accessories</i>	Halbflansch <i>Half flange</i> Vollflansch <i>Solid flange</i> O-Ring <i>O-ring</i> Schrauben <i>Screws</i>	Halbflansch Vollflansch O-Ring Schrauben	Half flange Solid flange O-ring Screws	480-003 490-003 OR 24.99 x 3.53 M10 x 30
	DIN-Flansch- Fest <i>DIN flange fixed</i>	DIN 2633 (auch mit O-Ring-Abdichtung lieferbar) <i>DIN 2633 (also available with O-ring seal)</i>	für Größe NW LK Ø Best.-Nr. gerade " 45° Bogen " 90° Bogen	for size PCD Order no., straight " 45° " 90°	NW 20 75.0 17.424-12-12 17.425-12-12 17.429-12-12
	DIN-Flansch- Lose <i>DIN flange loose</i>	DIN 2673 (auch mit O-Ring-Abdichtung lieferbar) <i>DIN 2673 (also available with O-ring seal)</i>	für Größe NW LK Ø Best.-Nr. gerade " 45° Bogen " 90° Bogen	for size PCD Order no., straight " 45° " 90°	NW 20 75.0 17.434-12-12 17.435-12-12 17.439-12-12
	LK 35,40,55	einstellbare Lochkreisarmatur inkl. O-Ring und Schrauben <i>Adjustable pitch circle fitting incl. O-ring and screws</i>	LK Ø Best.-Nr. gerade " 45° Bogen " 90° Bogen	PCD Order no., straight " 45° " 90°	35 17.LK4-35-12/DR 17.LK4-35-12/DR/45° 17.LK4-35-12/DR/90°

Andere Größen und Winkelstellungen auf Anfrage.
Other sizes and angular positions upon request.

*Pipe connection



DN 25	DN 31	DN 38	DN 51	DN 60	DN 76	DN 90	DN 102	DN 152
-------	-------	-------	-------	-------	-------	-------	--------	--------

Fassungsübersicht: siehe Seite 8
Ferrule overview: see page 8

17.001-16 17.005-16 17.009-16 M 38 x 1.5 17.011-16-16 17.015-16-16 17.019-16-16	17.001-20 17.005-20 17.009-20 M 45 x 1.5 17.011-20-20 17.015-20-20 17.019-20-20	17.001-24 17.005-24 17.009-24 M 52 x 1.5 17.011-24-24 17.015-24-24 17.019-24-24	17.001-32 17.005-32 17.009-32 M 65 x 2 17.011-32-32 17.015-32-32 17.019-32-32	17.001-36 17.005-36 17.009-36 M 78 x 2 17.011-40-36 17.015-40-36 17.019-40-36	17.001-48 17.005-48 17.009-48 M 90 x 2 17.011-48-48 17.015-48-48 17.019-48-48	17.001-56 17.005-56 17.009-56 M 100 x 2 17.011-56-56 17.015-56-56 17.019-56-56	17.001-64 17.005-64 17.009-64 M120 x 2 17.011-64-64 17.015-64-64 17.019-64-64	17.001-96 17.005-96 17.009-96
28L M 36 x 2 17.051-16-16 17.055-16-16 17.059-16-16	35L M 45 x 2 17.051-20-20 17.055-20-20 17.059-20-20	42L M 52 x 2 17.051-24-24 17.055-24-24 17.059-24-24						
28L M 36 x 2 17.170-16-16	35L M 45 x 2 17.170-20-20	42L M 52 x 2 17.170-24-24						
G 1" 17.260-16-16	G 1 1/4" 17.260-20-20	G 1 1/2" 17.260-24-24	G 2" 17.260-32-32	G 2 1/2" 17.260-40-36	G 3" 17.260-48-48		G 4" 17.260-64-64	
R 1" 17.301-16-16	R 1 1/4" 17.301-20-20	R 1 1/2" 17.301-24-24	R 2" 17.301-32-32	R 2 1/2" 17.301-40-36	R 3" 17.301-48-48		R 4" 17.301-64-64	
1" 44.5 17.420-16-16 17.450-16-16 17.470-16-16	1 1/4" 50.8 17.420-20-20 17.450-20-20 17.470-20-20	1 1/2" 60.3 17.420-24-24 17.450-24-24 17.470-24-24	2" 71.4 17.420-32-32 17.450-32-32 17.470-32-32	2 1/2" 84.1 17.420-40-36 17.450-40-36 17.470-40-36	3" 101.6 17.420-48-48 17.450-48-48 17.470-48-48	3 1/2" 114.3 17.420-56-56 17.450-56-56 17.470-56-56	4" 127.0 17.420-64-64 17.450-64-64 17.470-64-64	5" 152.4 17.420-80-96 17.450-80-96 17.470-80-96
480-006 490-005 OR 32.92 x 3.53 M10 x 30	480-008 490-008 OR 37.69 x 3.53 M10 x 35	480-012 490-011 OR 47.22 x 3.53 M12 x 35	480-014 490-014 OR 56.74 x 3.53 M12 x 35	480-016 490-018 OR 69.44 x 3.53 M12 x 40	480-019 490-020 OR 85.32 x 3.53 M16 x 45	480-022 490-023 OR 98.02 x 3.53 M16 x 45	480-024 490-025 OR 110.72 x 3.53 M16 x 50	480-026 490-027 OR 136.12 x 3.53 M16 x 50
NW 25 85.0 17.424-16-16 17.425-16-16 17.429-16-16	NW 32 100.0 17.424-20-20 17.425-20-20 17.429-20-20	NW 40 110.0 17.424-24-24 17.425-24-24 17.429-24-24	NW 50 125.0 17.424-32-32 17.425-32-32 17.429-32-32	NW 65 145.0 17.424-40-36 17.425-40-36 17.429-40-36	NW 80 160.0 17.424-48-48 17.425-48-48 17.429-48-48		NW 100 180.0 17.424-64-64 17.425-64-64 17.429-64-64	NW 150 240.0 17.424-96-96 17.425-96-96 17.429-96-96
NW 25 85.0 17.434-16-16 17.435-16-16 17.439-16-16	NW 32 100.0 17.434-20-20 17.435-20-20 17.439-20-20	NW 40 110.0 17.434-24-24 17.435-24-24 17.439-24-24	NW 50 125.0 17.434-32-32 17.435-32-32 17.439-32-32	NW 65 145.0 17.434-40-36 17.435-40-36 17.439-40-36	NW 80 160.0 17.434-48-48 17.435-48-48 17.439-48-48		NW 100 180.0 17.434-64-64 17.435-64-64 17.439-64-64	NW 150 240.0 17.434-96-96 17.435-96-96 17.439-96-96
40 17.LK4-40-16/DR 17.LK4-40-16/DR/45° 17.LK4-40-16/DR/90°	55 17.LK4-55-20/DR 17.LK4-55-20/DR/45° 17.LK4-55-20/DR/90°							

Bestellschlüssel
Order key

Artikelnummer: *1. XXX-XX-XX <i>Article number:</i>	Schlauchgröße <i>Hose size</i> Anschlussgröße <i>Port size</i> Anschlusstyp <i>Port type</i> Armaturentyp <i>Fitting type</i>	* Armaturentyp Fitting type 1. (dH 1000) 4. (dH 4000) 5. (dH 5000) 7. (dH 7000) 13. (dH 13) 15. (dH 15) 17. (dH 17) 17.K (dH 17.K)	Schlauchtyp Hose type für 1- / 2- lagige Schläuche / for one/two-layer hoses 4SP / 3SPC - Schläuche / 4SP / 3SPC hoses 4SH - Schläuche / 4SH hoses 4SH / R15 Schläuche / 4SH / R15 hoses Saug- und Niederdruckschläuche Suction and low-pressure hoses
---------------------------------------------------------------	--------------------------------------------------------------------------------------------------------------------------------------------------------------------------------	-------------------------------------------------------------------------------------------------------------------------------------------------------------------	---------------------------------------------------------------------------------------------------------------------------------------------------------------------------------------------------------------------------------------------------------------------------------

* Armaturentyp austauschbar, entsprechend des Schlauchtypes
** Fitting type interchangeable as per hose type*

Fassungsübersicht Ferrule Overview

für Druckeinbindungen for pressure applications

Typ Type	Baugruppe Hose Number	Armaturetyp Fitting Type	Fassungstyp Ferrule Type	DN 6	DN 8	DN 10	DN 12	DN 16	DN 19	DN 25	DN 31	DN 38	DN 51
2TE	05-XX	dH 1000 (1.)	nicht schälen no skive	100-04	100-05	100-06	100-08	100-10	100-12	100-16	110-20		
3TE	06-XX	dH 1000 (1.)	nicht schälen no skive	121-04	121-05	121-06	111/121-08	111/121-10	111/121-12	121-16	120-20	120-24	
1SN	11-XX	dH 1000 (1.)	nicht schälen no skive	101-04	101-05	101-06	101-08	101-10	101-12	101-16	101-20	101-24	101-32
1SN	11-XX	dH 1000 (1.)	schälen skive	100-04	100-05	100-06	100-08	100-10	100-12	100-16	110-20	110-24	110-32
2SN	21-XX	dH 1000 (1.)	nicht schälen no skive	101-04	101-05	101-06	101-08	101-10	101-12	101-16	101-20	101-24	101-32
2SN	21-XX	dH 1000 (1.)	schälen skive	100-04	100-05	100-06	100-08	100-10	100-12	100-16	120-20	120-24	120-32
1SC	19-XX	dH 1000 (1.)	nicht schälen no skive	101-04-1SC	101-05-1SC	101-06-1SC	101-08	101-10	101-12	101-16-1SC			
2SC	29-XX	dH 1000 (1.)	nicht schälen no skive	101-04	101-05	101-06	101-08	101-10	101-12	101-16			
2SC	29-XX	dH 1000 (1.)	schälen skive	100-04	100-05	100-06	100-08	100-10	100-12	100-16			
1SN-K	18-XX	dH 1000 (1.)	nicht schälen no skive	101-04-1SC	101-05-1SC	101-06-1SC	101-08	101-10	101-12	101-16-1SC			
2SN-K	28-XX	dH 1000 (1.)	nicht schälen no skive	101-04	101-05	101-06	101-08	101-10	101-12	101-16			
PTFE glatt/ gewellt smooth/ corrugated	R 115-XX/ R 272-XX	dH 1000 (1.)	nicht schälen no skive	FR 272-04	FR 272-05	FR 272-06	FR 272-08	FR 272-10	FR 272-12	FR 272-16	FR 272-20	FR 272-24	FR 272-32
3SPC	30-XX	dH 4000 (4.)	schälen skive			440-06	440-08	440-10	440-12	440-16			
4SP	40-XX	dH 4000 (4.)	schälen skive	440-04		440-06	440-08	440-10	440-12	440-16	440-20	440-24	440-32
4SH	44-XX	dH 5000 (5.)	schälen skive						540-12	540-16	540-20	540-24	540-32
4SH	44-XX	dH 7000 (7.)	schälen skive						740-12	740-16	740-20	740-24	740-32
R15	86-XX	dH 7000 (7.)	schälen skive					740-10	740-12	740-16	760-20	760-24	
R13	66-XX	dH 7000 (7.)	schälen skive										760-32



Bestellschlüssel Order key

Artikelnummer: *1. XXX-XX-XX
Article number:

Schlauchgröße
Hose size
Anschlussgröße
Port size
Anschlussstyp
Port type
Armaturetyp
Fitting type

* Armaturetyp Fitting type

1. (dH 1000)
4. (dH 4000)
5. (dH 5000)
7. (dH 7000)
13. (dH 13)
15. (dH 15)
17. (dH 17)
17.K (dH 17.K)

Schlauchtyp Hose type

für 1- / 2- lagige Schläuche / for one/two-layer hoses
4SP / 3SPC - Schläuche / 4SP / 3SPC hoses
4SH - Schläuche / 4SH hoses
4SH / R15 Schläuche / 4SH / R15 hoses

Saug- und Niederdruckschläuche
Suction and low-pressure hoses

* Armaturetyp austauschbar, entsprechend des Schlauchtypes
* Fitting type interchangeable as per hose type

Aktuelle Daten:
Pressmaße, Schällängen, Richtlinien unter:

Current data:

For pressing dimensions, skive lengths, guidelines:

www.dietzel-hydraulik.de/downloads/technische_informationen.html

Fassungsübersicht für Saug- und Niederdruckeinbindungen

Ferrule overview for suction and low-pressure applications

Schlauchtyp Hose type	Superflexibel 17A <i>Super flexible 17A</i>			
	17A-XX			
Einbindung Inserts	117G		119	
Armaturn Fitting	dH 1000	dH 17	dH 17.K	dH 17
DN				
DN 19	117G-12			119-004
DN 25	117G-16			119-006
DN 31	117G-20			119-009
DN 38	117G-24			119-010
DN 51	117G-32			119-014
DN 60	117G-36			119-016
DN 63	117G-40			119-017
DN 76		117G-48		119-020
DN 90		117G-56		119-023/024
DN 102		117G-64		119-025
DN 127		117G-80		119-028
DN 152		117G-96		119-030



Aktuelle Daten:
Pressmaße, Schällängen,
Richtlinien unter:
Current data:
For pressing dimensions,
skive lengths, guidelines:

[www.dietzel-hydraulik.de/
 downloads/technische
 informationen.html](http://www.dietzel-hydraulik.de/downloads/technische_informationen.html)

Schlauchtyp Hose type	SAE 100 R4					KARA/25		
	14A-XX					15-XX		
Einbindung Inserts	117G		119	113		115		113
Armaturn Fitting	dH 1000	dH 17	dH 17	dH 1000	dH 13	dH 1000	dH 15	dh 13
DN								
DN 19	117G-12		119-004	113-004				
DN 25	117G-16		119-007	113-007				
DN 31	117G-20		119-009	113-012				
DN 38	117G-24		119-011		113-014	115-24		113-016
DN 51	117G-32		119-014		113-019	115-32		113-021
DN 60	117G-36		119-016					
DN 63	117G-40		119-017					
DN 76		117G-48			113-048		115-40	113-023
DN 90		117G-56			113-026		115-48	113-026
DN 102		117G-64						
DN 127		117G-80			113-031		115-64	
DN 152		117G-96			113-036			
					113-039			



Schläuche Hoses

Hochdruckschläuche mit Drahtgeflechteinlage 1 SC, DIN EN 857

Wire braid reinforced high-pressure hoses 1 SC, DIN EN 857

Bestell-Nr. Order No.	DN	Zoll Inch	Innendurchm. Hose I.D.	Außendurchm. Hose O.D.	Über-Draht- Durchmesser Hose R.O.D.	Max. Betriebsdruck Max. Operating Pressure	Berstdruck Burst Pressure	Kleinster Biegeradius Min. Bend Radius	Masse Weight
19-04	6	1/4"	6.4	13.5	10.2	225	900	75	0.18
19-05	8	5/16"	7.9	14.5	11.5	215	860	85	0.21
19-06	10	3/8"	9.5	16.9	13.7	180	720	90	0.28
19-08	12	1/2"	12.7	20.4	17.0	160	640	130	0.33
19-10	16	5/8"	15.9	23.0	20.4	130	520	150	0.41
19-12	19	3/4"	19.0	26.7	23.8	105	420	180	0.52
19-16	25	1"	25.4	34.9	31.3	88	352	230	0.78

Hochdruckschläuche mit Drahtgeflechteinlage, 2 SC, DIN EN 857

Wire braid reinforced high-pressure hoses 2 SC, DIN EN 857

Bestell-Nr. Order No.	DN	Zoll Inch	Innendurchm. Hose I.D.	Außendurchm. Hose O.D.	Über-Draht- Durchmesser Hose R.O.D.	Max. Betriebsdruck Max. Operating Pressure	Berstdruck Burst Pressure	Kleinster Biegeradius Min. Bend Radius	Masse Weight
29-04	6	1/4"	6.4	14.2	11.2	400	1600	75	0.28
29-05	8	5/16"	7.9	16.0	12.7	350	1400	85	0.33
29-06	10	3/8"	9.5	18.3	15.0	330	1320	90	0.42
29-08	12	1/2"	12.7	21.5	18.3	275	1100	130	0.52
29-10	16	5/8"	15.9	24.7	21.4	250	1000	170	0.61
29-12	19	3/4"	19.0	28.6	25.5	215	860	200	0.79
29-16	25	1"	25.4	36.6	33.4	165	660	250	1.1

Hochdruckschläuche mit Drahtgeflechteinlage, 3 SPC

Wire braid reinforced high-pressure hoses, 3 SPC

Bestell-Nr. Order No.	DN	Zoll Inch	Innendurchm. Hose I.D.	Außendurchm. Hose O.D.	Über-Draht- Durchmesser Hose R.O.D.	Max. Betriebsdruck Max. Operating Pressure	Berstdruck Burst Pressure	Kleinster Biegeradius Min. Bend Radius	Masse Weight
30-06	10	3/8"	9.5	21.4	17.0	500	2000	120	0.72
30-08	12	1/2"	12.7	24.2	20.2	470	1880	160	0.89
30-10	16	5/8"	15.9	28.1	23.8	410	1640	210	1.07
30-12	19	3/4"	19.0	31.8	27.8	375	1500	260	1.32
30-16	25	1"	25.4	39.0	34.9	310	1240	310	1.82

Für alle Angaben der Technischen Übersicht gilt: Änderungen vorbehalten! Schutzvermerk nach DIN ISO 16016 beachten!
Andere Größen und Winkel auf Anfrage!

All information in the technical overview shall be subject to: change without notice. The copyright note according to DIN 16016.
Other sizes and angles are available upon request.

Weiteres Produktportfolio:
Additional product portfolio:

- Hochdruckschläuche mit Drahtgeflechteinlagen: 1 SN, DIN EN 853 und SAE 100 R 1S
Wire braid reinforced high-pressure hoses: 1 SN, DIN EN 853 and SAE 100 R 1S
- Hochdruckschläuche mit Drahtgeflechteinlagen: 2 SN, DIN EN 853 und SAE 100 R 2S
Wire braid reinforced high-pressure hoses: 2 SN, DIN EN 853 and SAE 100 R 2S
- Höchstdruckschläuche mit Drahtspiraleinlagen: 4 SP, DIN EN 856 und SAE 100 R 9 R
Spiral wire reinforced ultrahigh pressure hoses: 4 SP, DIN EN 856 and SAE 100 R 9 R



Höchstdruckschläuche mit Drahtspiraleinlagen, 4 SH, DIN EN 856
Spiral wire reinforced ultrahigh pressure hoses, 4 SH, DIN EN 856

Bestell-Nr. Order No.	DN	Zoll Inch	Innendurchm. Hose I.D.	Außendurchm. Hose O.D.	Über-Draht- Durchmesser Hose R.O.D.	Max. Betriebsdruck Max. Operating Pressure	Berstdruck Burst Pressure	Kleinster Biegeradius Min. Bend Radius	Masse Weight
	mm	"	mm	mm	mm	bar	bar	mm	kg/m
44-12	19	3/4"	19.0	32.0	28.2	420	1680	267	1.50
44-16	25	1"	25.4	38.0	35.0	380	1520	340	2.08
44-20	31	1 1/4"	32.0	45.0	42.0	350	1400	460	2.51
44-24	38	1 1/2"	39.0	53.0	49.0	290	1160	560	3.42
44-32	51	2"	50.8	68.0	63.0	250	1000	700	4.73

Höchstdruckschläuche mit Drahtspiraleinlagen, Multispiralschlauch R 15 (DN 51 = R 13)
Spiral wire reinforced ultrahigh pressure hoses, multi-spiral hose R 15

Bestell-Nr. Order No.	DN	Zoll Inch	Innendurchm. Hose I.D.	Außendurchm. Hose O.D.	Über-Draht- Durchmesser Hose R.O.D.	Max. Betriebsdruck Max. Operating Pressure	Berstdruck Burst Pressure	Kleinster Biegeradius Min. Bend Radius	Masse Weight
	mm	"	mm	mm	mm	bar	bar	mm	kg/m
87-10	16	5/8"	16.0	29.4	25.4	490	1960	250	1.32
44-12	19	3/4"	19.0	32.0	28.2	420	1680	267	1.50
86-16	25	1"	25.4	38.0	35.1	420	1680	280	2.10
86-20	31	1 1/4"	32.0	50.0	46.3	420	1680	280	3.60
86-24	38	1 1/2"	38.0	57.3	54.0	420	1680	315	5.10
66-32	51	2"	50.8	71.8	68.2	350	1400	630	6.82

Saug- und Niederdruckschläuche, SAE 100 R 4
Suction and low-pressure hoses, SAE 100 R 4

Bestell-Nr. Order No.	DN	Zoll Inch	Innendurchm. Hose I.D.	Toleranz Di Tolerance	Außendurchm. Hose O.D.	Unterdruck Vacuum	Max. Betriebsdruck Max. Operating Pressure	Berstdruck Burst Pressure	Kleinster Biegeradius Min. Bend Radius	Masse Weight
	mm	"	mm	mm	mm	bar	bar	bar	R	kg/m
14A-12	19	3/4"	19	±0.8	29	-1	21	63	95	0.6
14A-16	25	1"	25	±0.8	35	-1	17	51	125	0.8
14A-20	31	1 1/4"	32	±1.2	42	-1	14	42	160	0.9
14A-24	38	1 1/2"	38	±1.2	48	-1	10	30	190	1.0
14A-32	51	2"	51	±1.6	61	-1	10	30	255	1.3
14A-36	60	2 3/8"	60	±1.6	72	-1	10	30	300	2.0
14A-40	63	2 1/2"	63	±1.6	75	-0.9	10	30	315	2.1
14A-48	76	3"	76	±1.6	88	-0.9	10	30	380	2.5
14A-56	90	3 1/2"	89	±1.6	104	-0.9	10	30	450	3.0
14A-64	102	4"	102	±1.6	116	-0.9	10	30	510	3.4
14A-80	127	5"	127	±1.6	145	-0.8	10	30	635	5.8
14A-96	152	6"	152	±1.6	170	-0.8	10	30	760	7.1

Bestellschlüssel
Order key

Artikelnummer: *1. XXX-XX-XX Article number:	* Armaturentyp Fitting type	Schlauchtyp Hose type
↑ Schlauchgröße Hose size ↑ Anschlussgröße Port size ↑ Armaturentyp Fitting type	1. (dH 1000) 4. (dH 4000) 5. (dH 5000) 7. (dH 7000)	für 1- / 2- lagige Schläuche / for one/two-layer hoses 4SP / 3SPC - Schläuche / 4SP / 3SPC hoses 4SH - Schläuche / 4SH hoses 4SH / R15 Schläuche / 4SH / R15 hoses
	13. (dH 13) 15. (dH 15) 17. (dH 17) 17.K (dH 17.K)	Saug- und Niederdruckschläuche Suction and low-pressure hoses

* Armaturentyp austauschbar, entsprechend des Schlauchtypes
* Fitting type interchangeable as per hose type

zertifiziert nach:
certified as per:
DIN EN ISO 9001
DIN EN ISO 50001



Dietzel Hydraulik GmbH

D 04626 Löbichau
Leedenstraße 10

Tel.: +49 (36602) 140-0
Fax: +49 (36602) 140-809

E-Mail: info@dietzel-hydraulik.de

Vertrieb

Tel.: +49 (36602) 140-140
Fax: +49 (36602) 3 47 27

E-Mail: vertrieb@dietzel-hydraulik.de

Weitere Informationen unter:



www.dietzel-hydraulik.de